



## Ice & Water ICEPRO IW1000



### Features

- Automatic ice dispensing
- Two water spigot stations
- One water inlet connection for both spigots and ice maker
- Fully welded stainless steel auger
- Fully welded stainless steel agitator(s)
- 1/2HP motor(s) with torque overload & recovery
- 2400 volt, single phase, 15 amp power
- Foot pedal activated
- Sturdy bin structure
- Adjustable bag shelf
- Adjustable feet
- Minimal silicone
- First in first out ice
- Factory installed drain
- Fully welded base frame
- All systems are shipped fully assembled
- FOB origin on all freight unless pre-approved

### Options

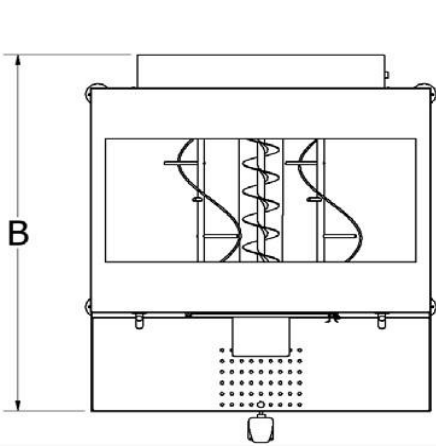
- Timed dispensing
- Timed agitation
- Bag blower
- Wicket assembly
- Power conversion
- Private labeling
- Coved corners
- Security package
- Custom designs / applications

### Applications

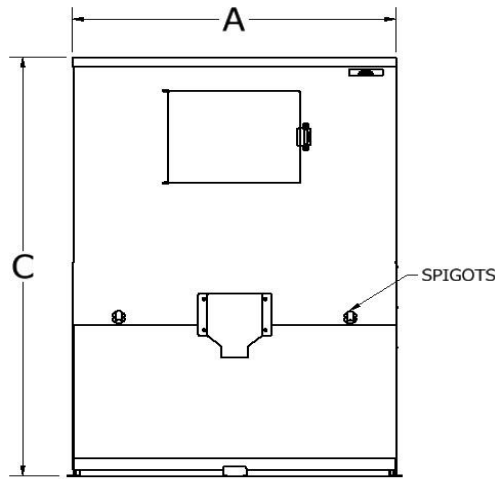
- Factories/Manufacturing
- Mining
- Farming
- Sports Venues
- Golf Courses
- Public Works
- Marinas



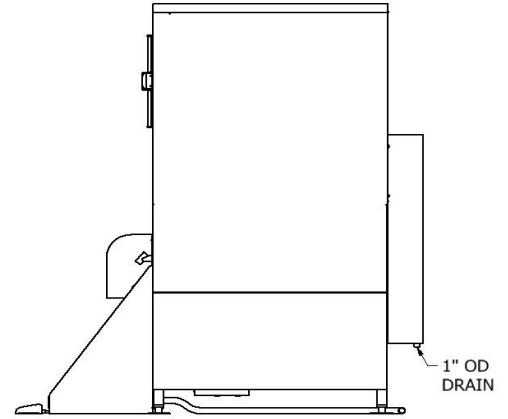
# IW 1000 Ice & Water Dispenser



**TOP VIEW**



**FRONT VIEW**



**SIDE VIEW**

Contact factory for details on CAD Symbols Library availability on this product

Model Number	Capacity lbs (kg)	A-Width in (mm)	B-Depth in (mm)	C-Height in (mm)	Ship Weight lbs (kg)
IW1000	1,078 (489)	48 (1,219)	58 (1,473)	73.5 (1,867)	630 (286)

**ELECTRICAL CONNECTION:**



3/8" Push Fit

**OPTIONS:**

- Stainless steel or poly liner
- Bullet or flanged feet

**ACCESSORIES:**

- Bag sealers
- Scoops
- Paddles
- Carts
- Totes
- Igloos